

# MANUAL FORCED ACTION MIXER



GB-01.06.22

**65  
light**



**MODEL 65-LIGHT**

Mixing capacity:  
65 liters

## TABLE OF CONTENTS

SoRoTo 65-Light forced action mixer.....	p. 3
Before use.....	p. 3
Product description .....	p. 3
Mixer arms .....	p. 4
Technical data .....	p. 4
General safety precautions.....	p. 4
Operating the SoRoTo 65-Light forced action mixer .....	p. 5
Application .....	p. 5
Maintenance and cleaning .....	p. 6
Transport .....	p. 7
Environment / disposal .....	p. 7
Spare part list – 65-Light .....	p. 8
Spare part list – 65-Light .....	p. 9
Special features.....	p. 10
EU Declaration of Conformity .....	p. 11
Contact details .....	p. 12

## MANUAL APPLIES TO SoRoTo 65-Light

### BEFORE USE

We encourage you to study this manual and the safety precautions before operating the Forced Action Mixer.

Please note the warning signs below as they appear throughout the manual and indicate the following:



Risk of personal injury or damages to the machine unless the safety instructions are observed.



Dangerous level of electric voltage.

Before starting the SoRoTo 65-Light mixer, we recommend that:

- The telescopic legs are adjusted for the right height — in order to achieve the ergonomically best possible work position.
- The telescopic legs are adjustable for various heights.
- The easiest way for adjusting the legs is to lay down the mixer, so it rests on all four wheels. The legs are released and locked with the fitted lock splits/bolts.



### NOTE!

The safety grid must be fitted onto the mixer in front of the mixer gate.

### PRODUCT DESCRIPTION

- The SoRoTo 65-Light mixer is ideal for mixing most of the materials used in the building industry, where high demands are imposed on the quality of the mix.
- The 65-Light is designed for the workman who has fewer and short-term masonry jobs, for the choosy self builder who wishes to ease the work load, or the end user who is accustomed to a cement mixer but wishes to upgrade their mixer to a forced action mixer.



## NOTE!

65-Light is not designed for mixing stony materials. This can damage both the mixer arms and the gear-motor.

## MIXER ARMS

SoRoTo 65-Light Forced Action Mixer comes with a complete set of mixer arms with three mixer arms. This ensures a homogeneous mix of the materials used.

The mixer arms should be placed over the triangular shaft and the bolt tightened.

## TECHNICAL DATA

SoRoTo 65-Light Forced Action Mixer	
Motor	230V/0,75 kW
RPM	30 RPM
Drum capacity	67 L
Mixing capacity	65 L
Height	110-124 cm
Width/length	64/67 cm
Weight	69 kg

## SAFETY

Please store this manual in a safe place so that the information herein is readily available.

Make sure to include this manual if you hand over the mixer to another person.

This manual is also available to download digitally via our website: [www.soroto.com](http://www.soroto.com).

The manufacturer shall not be liable and shall not be liable in the event of any work injury or damage to the machine which may occur due to breach of the safety instructions of this manual.

Safe use of the machine is possible only when the operating instructions and safety rules have been carefully read and the instructions carefully followed.



### AVOID ELECTRICAL SHOCK AND DAMAGE

- Always use the correct voltage. The voltage on the current must be consistent with the information provided in the instructions.
- Before connecting the power, the mixer arms must be bolted in place and the grid lid closed. The mixer must not be put into operation before the safety grid in front of the chute is securely mounted.
- When using an extension cable, please observe the following: Never use a cable longer than max. 10 m. Always use a cable with a minimum dimension of 1 mm<sup>2</sup>. Never use the cable when it is rolled up. Always roll it out completely, to avoid damaging the cable and the motor.



### GENERAL SAFETY PRECAUTIONS

- Always keep children and unauthorized persons away and at a safe distance, when the mixer is in use.
- Always follow the instructions of the mixer manufacturer.

## OPERATING THE SOROTO 65-LIGHT FORCED ACTION MIXER

In order to open the grid lid, pull out the black spring lock, which sits at the hinge - on the back of the mixer. The built-in locking function can be switched off by pulling out the spring lock and turning it.

## APPLICATION

Before connecting the power, tighten the mixer arms with the supplied machine bolt.



### NOTE!

As a safety precaution - the motor can only run when the lid is closed.

It is recommended that the machine run while filling material - in order to not cause damage to the gear-motor.

Pour the desired material into the mixing drum and add liquid a little at a time. The black spring lock at the hinge ensures that the lid stays locked while the machine is running.

The forced action mixer is started by pressing the green START button located on the mounted switch.

A zero voltage release is fitted in the motor protection. In the event of a power failure or power cut, the forced action mixer should subsequently be restarted.

Also, for safety reasons, the engine cannot start if the lid is not closed.

To restart the mixer, press the green START button.



#### **NOTE!**

Never put your hand or any object into the machine when the power is connected.

When the material has reached the desired consistency and the mixing motion is finished, the mixing drum is emptied by opening the mixer gate. The drum should be emptied right after mixing. Please observe that the material may set in the mixing drum, if left for too long.

#### **MAINTENANCE AND CLEANING**

Before cleaning the machine, make sure to switch off the power to the mixer.

Open the lid by pulling the black spring lock and remove the mixer arms. First remove the bolt and then remove the mixer arms from the shaft.

Wash the mixer arms and the entire mixing drum using water.

When cleaning has ended, place the mixer arms onto the axle and close the grid lid.



**NOTE!**

Prevent water from accessing the electrical parts.



**NOTE!**

The safety grid should be in front of the output gate at all times. If the machine is jammed, e.g. by larger stones, ensure that the plug is disconnected from the protective motor switch, before removing the obstruction. Do not put your fingers or any object through the mixer gate.

**TRANSPORT**

During transport of the SoRoTo<sup>®</sup> 65-Light Forced Action Mixer it is recommended that the mixer is placed on the four wheels, and the lid is closed and locked with the rubber strap.



**NOTE!**

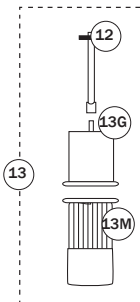
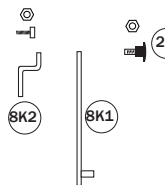
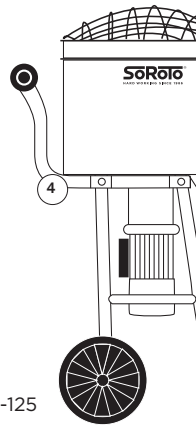
The spring-loaded lock must be activated before putting down the mixer.

**ENVIRONMENT**



- Environmental hazardous waste must always be disposed of in accordance with any applicable legislation in the field in your country.
- Please take care of the environment.

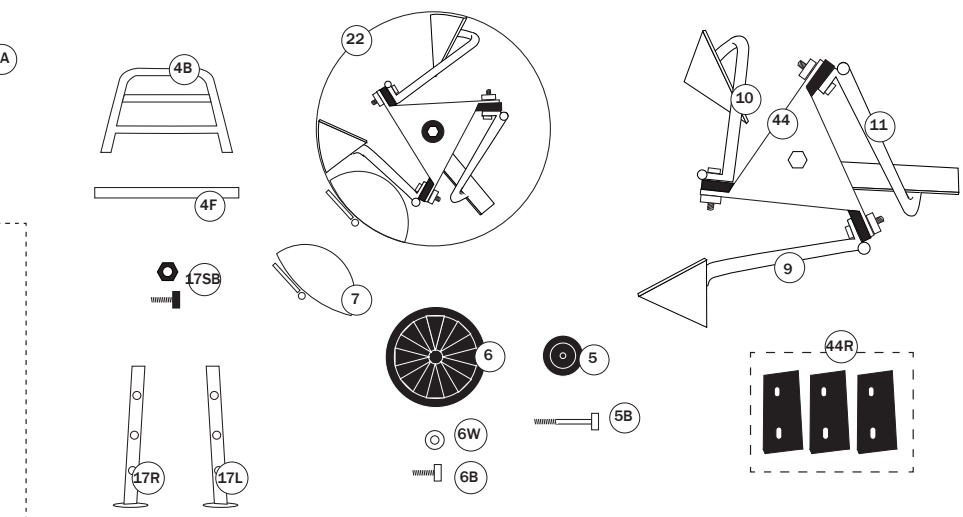
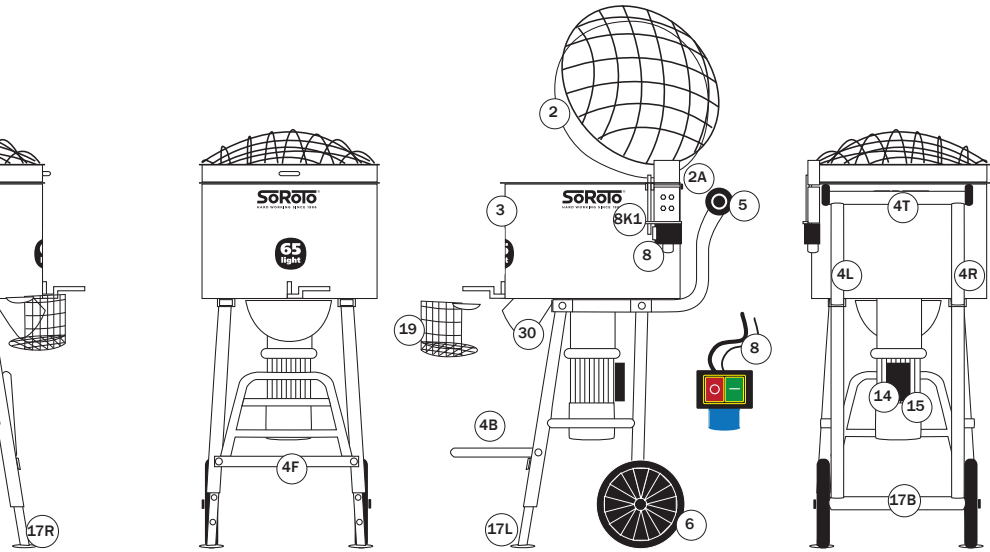
POS.NO.	DESCRIPTION	ART.NO.
2	Grid lid (hinge 90 mm).....	65 002
2 A	Spring lock for grid lid.....	65 002A
3	Mixer drum, excl. mixer gate .....	65 003
4	Frame, complete w/wheels etc.....	65 004
4 B	Bucket stand.....	65 004B
4 F	Frame, front part — below bucket stand.....	65 004F
4 L	Frame, front part — left side .....	65 004L
4 R	Frame, front part — right side .....	65 004R
4 T	Frame, top/rear part.....	65 004T
5	Loading wheel (1 pc.), 80 mm, excl. bolt.....	65 005
5 B	Bolt (1 pc.) for 80 mm loading wheel .....	65 005B
6	Wheel (1 pc.), 300 mm, excl. bolt.....	65 006
6 B	Bolt (1 pc.) for 300 mm wheel.....	65 006B
6 W	Washer (1 pc.) for 300 mm wheel.....	65 006W
7	Mixer gate incl. bolt .....	65 007
8	Switch 8.0 Amp. w/thermal circuit breaker.....	65 008
8 K1	Piece for safety switch — a straight metal piece .....	65 008K1
8 K2	Metal hinge for fitting the safety switch.....	65 008K2
9	Mixer arm (1 pc.), Side.....	65 009
10	Mixer arm (1 pc.), Side-base .....	65 010
11	Mixer arm (1 pc.), Rake .....	65 011
12	Drive shaft .....	65 012
13	Gear motor 0,75 kW, 30 RPM, 230V .....	65 013
13 G	- Gear wo/motor .....	65 013G
13 M	- Motor wo/gear .....	65 013M
14	Starting capacitor 125 µF.....	65 014_100-125
15	Operating capacitor 25 µF.....	65 015_25
17 B	Telescopic leg (1 pc.), rear.....	65 017B
17 L	Telescopic leg (1 pc.), front — left side.....	65 017L
17 R	Telescopic leg (1 pc.), front — right side.....	65 017R
17 SB	Bolt and nut (1 set) for telescopic leg (1 pc.).....	65 017SB
19	Safety grid by the mixer gate .....	65 019
22	Mixer arms, 3 pcs, incl. cross joint.....	65 022
	Mixer arms, 3 pcs, excl. cross joint.....	65 022A
30	Discharge chute, incl. nuts .....	65 030
44	Cross joint for mixer arms, wo/rubber, incl. bolts .....	65 044
44 R	Replacement set for cross joint, rubber .....	65 044R





# SPARE PART LIST - 65 LIGHT, 240V

GB-01.03.20



**INCLUDING**

Mixer arms with steel blades and cross joints



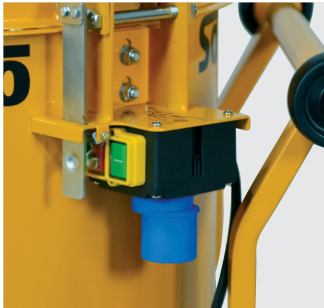
**INCLUDING**

Small loading wheels for easy on-/unloading



**INCLUDING**

User friendly start-stop and safety switch



**INCLUDING**

Cross-bar makes the mixer easy to push



**INCLUDING**

Telescopic legs for setting the right working height



**INCLUDING**

Puncture-free wheels locked with bolt and washer



## EU DECLARATION OF CONFORMITY

ANNEX II.A OF THE MACHINERY DIRECTIVE

Manufacturer: SoRoTo A/S

Address: Fabriksparken 11-13, 2600 Glostrup, DENMARK

Product: Forced Action Mixers

Model: 65-light

Manufactured: From 2015 and onwards

We hereby declare that the **SoRoTo<sup>®</sup> Forced Action Mixers** are manufactured in conformity with the stipulation contained in COUNCIL DIRECTIVE No. 2006/42/EC on the approximation of the laws of member states on machine, including subsequent modifications, with special regard to Annex I of the directive on important safety and health requirements in connection with the design and manufacture of machines.

Furthermore, we declare that the **SoRoTo<sup>®</sup> Forced Action Mixers** are manufactured in conformity with the following harmonised standard,

EN 12151:2007

13.06.2019

Glostrup, DENMARK

  
\_\_\_\_\_  
Hans Terney Rasmussen  
CEO

**SALES/ADMINISTRATION**

Fabriksparken 13  
DK-2600 Glostrup  
Tel. +45 3672 7500  
soroto@soroto.dk

**PRODUCTION/WAREHOUSE**

Fabriksparken 11  
DK-2600 Glostrup